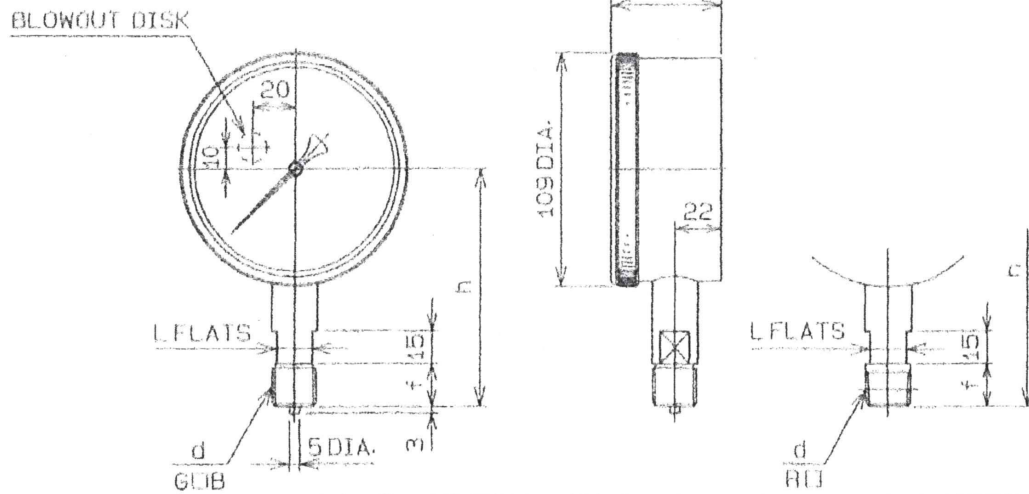


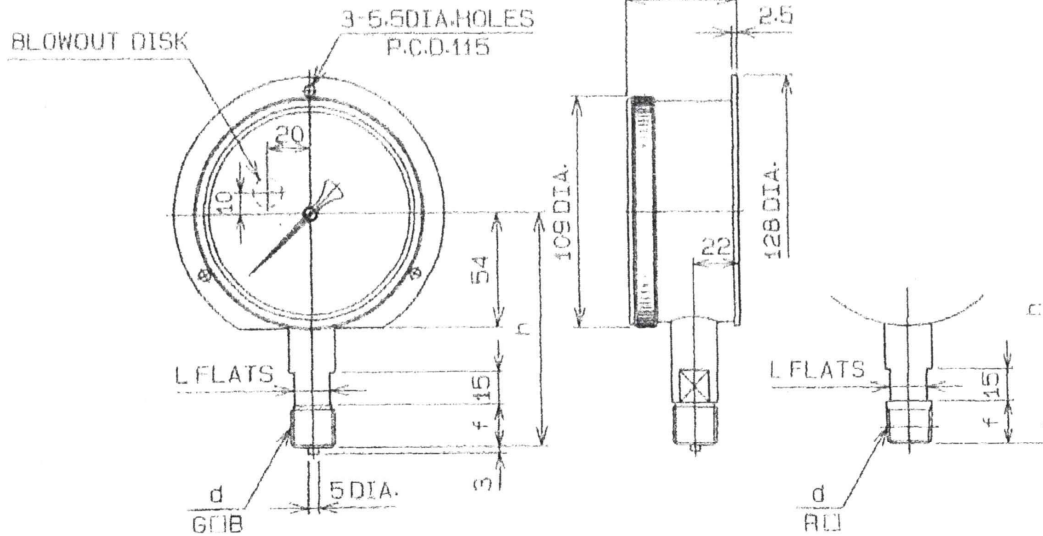


### STEM MOUNTING



DWG. NO.				U S E				
G3/8B	R3/8	G1/2B	R1/2		d	f	L	h
BE10-131	BE10-181	BE10-141	BE10-191	GENERAL	G3/8B	18	14	108
-132	-182	-142	-192	AMMONIA	R3/8	18	14	108
-133	-183	-143	-193	CORROSION PROOF	G1/2B	20	17	110
					R1/2	20	17	110

### SURFACE MOUNTING



DWG. NO.				U S E				
G3/8B	R3/8	G1/2B	R1/2		d	f	L	h
BE10-231	BE10-281	BE10-241	BE10-291	GENERAL	G3/8B	18	14	108
-232	-282	-242	-292	AMMONIA	R3/8	18	14	108
-233	-283	-243	-293	CORROSION PROOF	G1/2B	20	17	110
					R1/2	20	17	110

WEATHER PROOF TYPE 100 PRESSURE GAUGE		SHEET NO. A/A
100 BE10-200		